

## 0 Series Surface Mounted Rim Strike



*In or Out... we make it Easy!®*

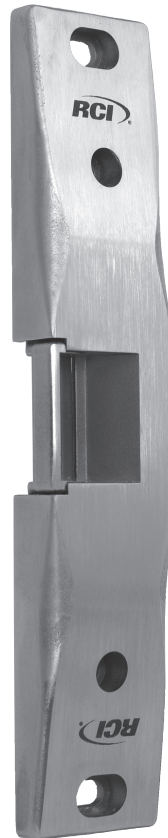
**Installation Tool  
Included!**



Conventional Keeper  
(one moving part)



Lock down holes for  
added stability



### Dimensions

1-3/4" x 9" x 3/4"  
(44.5mm x 228.6mm x 19.1mm)

## Features

- No frame cutting required – **Surface Mounted**
- Higher grade stainless steel ensures superior keeper strength
- Compatible with most major exit devices
- Accommodates exit devices with latch projections from 1/2" to 3/4" (12.7mm - 19.1mm)
- Ensure proper latch alignment with horizontal adjustment up to 1/4" (6.4mm) to compensate for door misalignments
- Field selectable voltage input – 12 or 24VDC and 12 to 24VAC (even 11 to 16VAC)
- Horizontal solenoid prevents manipulation from vibration
- Modular plug-in wire connectors
- Selectively brushed stainless steel finish
- Non-handed
- Allen head cap screws for added support and tamper resistance
- Mounting spacer included to provide enhanced latch engagement

## Accessories

- 0162DDH** – Double door housing
- 0162MSK** – Mounting Spacer Kit 1/16" (1.5mm)  
(Additional spacer included)

## 0162

Designed especially to operate with rim exit devices. The 0162 is completely surface mounted, no more cutting of the frame. The rugged stainless steel design accommodates hollow metal, aluminum and wood door frames.

The one piece conventional keeper promotes even load distribution in the event of an attempted forced entry. The 0162 heavy duty housing is reinforced to eliminate twisting in the case of imperfect frames. The esthetically pleasing design even takes into consideration personal injury because its smooth radius design reduces chances of catching.

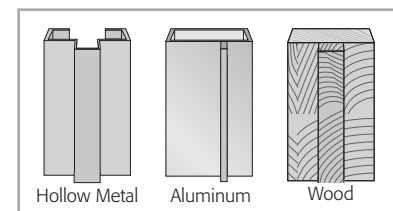
## Highlights

- Up to 1/4" (6.4mm) horizontal adjustment
- Tamper resistant
- Conventional keeper design - promotes even load distribution
- 5-year limited warranty
- Installation tool included (allen key)
- UL Listed for 1500 lbs of static strength
- Factory tested to over 4 million cycles of operation

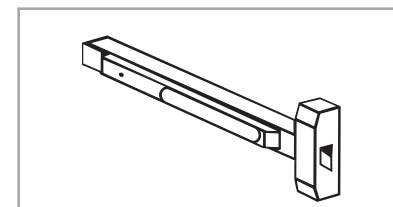
US Patent 7,722,097

## Applications

- Commercial Centers
- Industrial Buildings
- Educational Facilities
- Retail Outlets
- Health Care Facilities
- Office Complexes



Door  
Frame  
Type



Door  
Lock  
Type

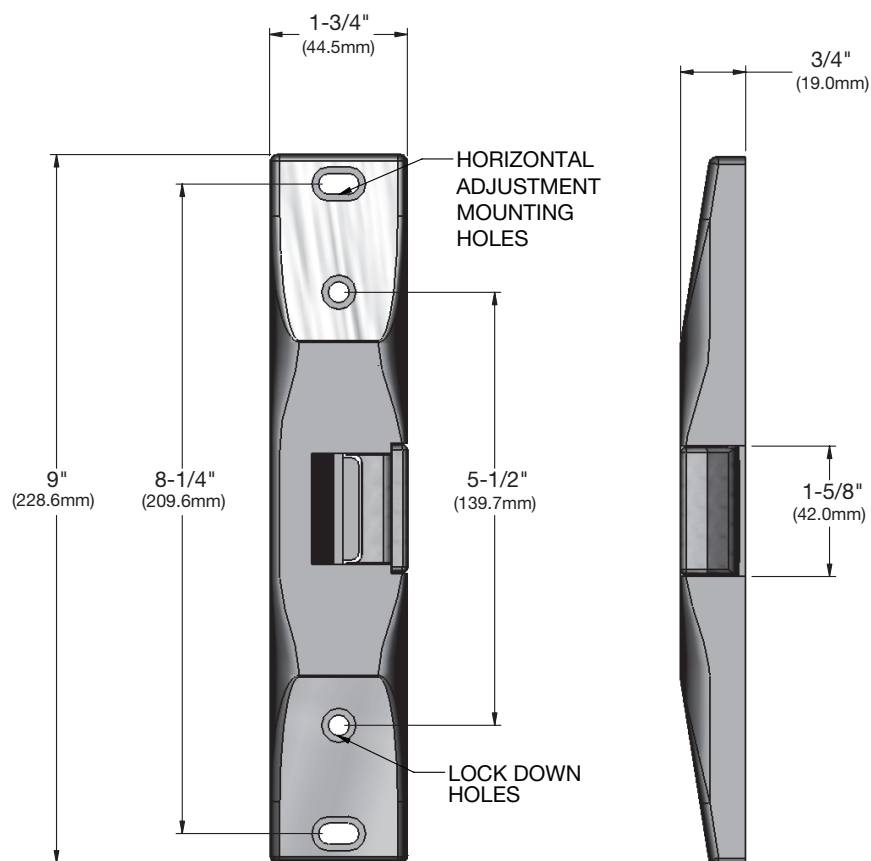


*In or Out... we make it Easy!®*

Specifications							
Model	Mode	Voltage	Current	Duty	Sound	Amps	Ohms
0162	Fail Locked	12V	AC	Intermittent	Buzz	0.30	22
		12V	DC	Continuous	Silent	0.50	22
0162	Fail Locked	24V	AC	Intermittent	Buzz	0.64	22
		24V	DC	Continuous	Buzz	0.24	89
0162	Fail Locked	11V	AC	Intermittent	Buzz	0.35	22
		16V	AC	Intermittent	Buzz	0.50	22

AC = Alternating Current  
DC = Direct Current

Intermittent Duty = Energized less than 1 min. with Duty Ratio 1:5  
Continuous Duty = Energized 1 min. or more



**NOTE:** Not to scale. Specifications are subject to change without notice.

RCI also offers a complete line of Electromagnetic Locks, Electric Locks, Power Supplies, Switches, Keypads & Readers, Exit Devices, Systems & Door Hardware.